



Food Processor with 1.5hp Motor

ITEM: 44532
MODEL: FP-BR-0014

The food processing solution for higher production needs. slice, shred and grate ingredients in large quantities

Processing up to 400 kg of food per hour, it has a robust structure and the largest feeding mouth in this category. Ideal for cheese processing centers and food suppliers.



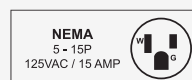
FEATURES:

- Powerful 1.5 hp Motor
- Easy to Clean
- Hardened stainless steel structure
- Wide Range of Discs to suit your needs (*Sold Separately*)

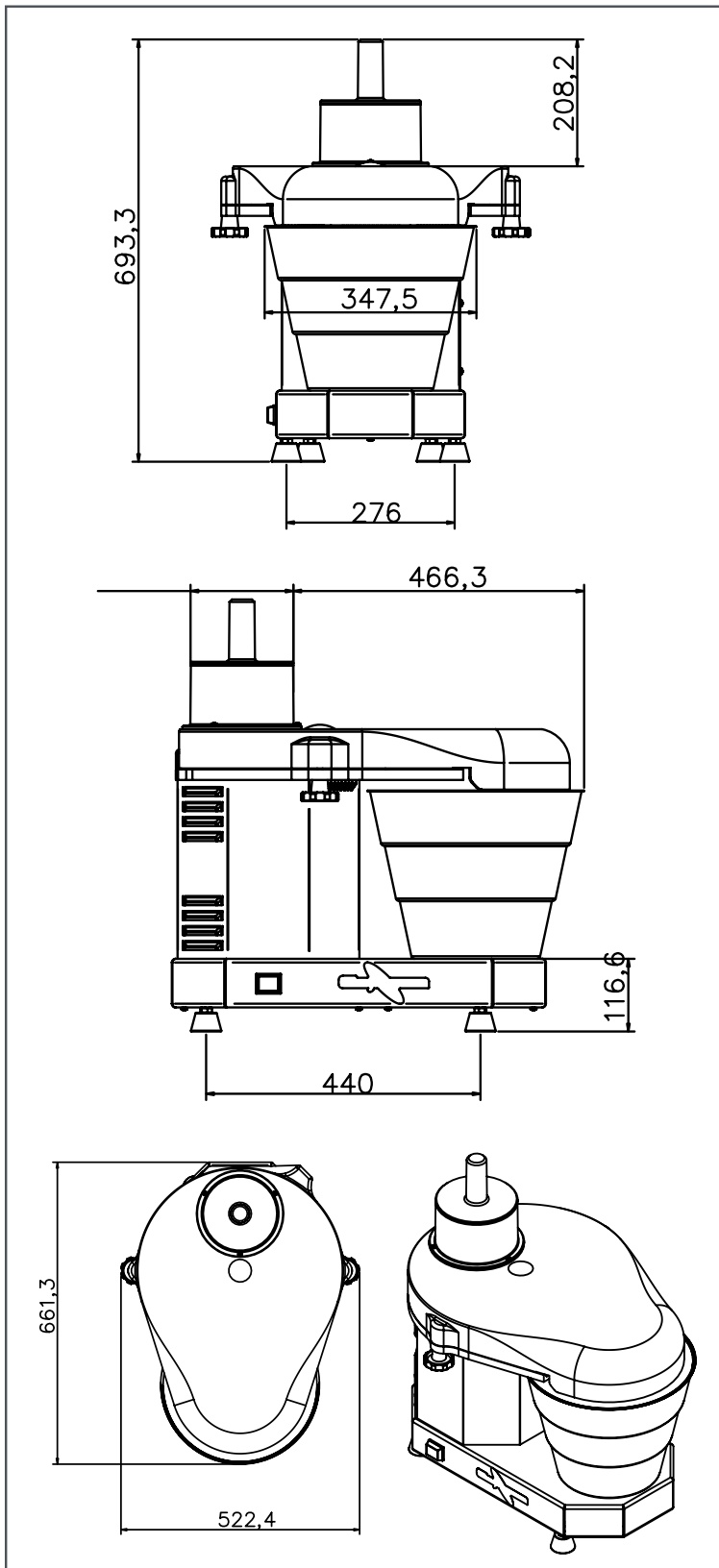
NOTE:

For Mozzarella and Cheddar

- Need to have a medium-to-firm consistency, if the consistency is too soft it will not work
- Have to be REFRIGERATED (Fridge) to be processed, they cannot be processed in their natural state as they will get stuck all over the discs and the chamber
- CANNOT be frozen as it would be the same as trying to process a piece of stone in the processor
- Must be taken out of the fridge, for processing, two pieces at a time. That way operator does not run the risk of they getting back to the natural state during the operation



TECHNICAL DRAWING



TECHNICAL SPECIFICATION

Item	44532
Model	FP-BR-0014
Bowl Capacity	2.6gal (10L)
Average Production (per hour)	882 lb. (400 kg.)
Power	1.5 hp /1.12 kW
Electrical	110-120V / 60Hz /1Ph
RPM	510
Mouth Opening (Dia.)	6" (152mm)
Disc Size (Dia.)	16.9" (429mm)
Throat Size (Dia.)	6.3" (161mm)
Net Weight	157.6lb. (71.5 kg.)
Net Dimensions (DWH)	20.9" x 26" x 27.6" (530 x 660 x 700mm)
Gross Weight	218 lb. (99 kg.)
Gross Dimensions (DWH)	34" x 27" x 34" (870 x 690 x 860mm)
Plug Type	NEMA 5-15P

OPTIONAL DISCS (SOLD SEPARATELY)

Disc	Item	Disc Type
	44533	1.5 mm Slicer
	44534	3 mm Slicer
	44538	Grater
	44535	3 mm Shredder
	44536	5 mm Shredder
	44537	8 mm Shredder